
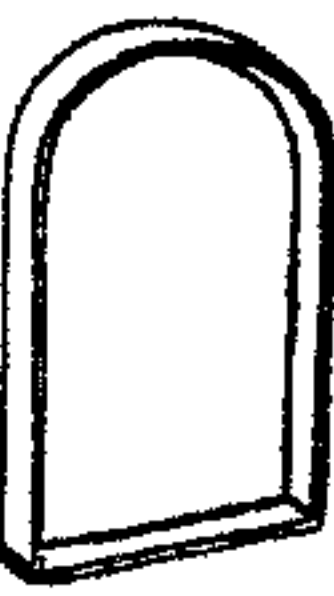
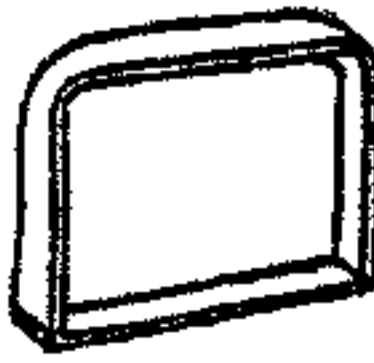


D-HANDLES		glued, & pinned in corners		PRICE	TOTAL
QTY	SPN HGT WIDTH				
---	3"x4"	3/4"		1.60	=
---	3"x6"	3/4"		1.65	=
---	3"x8"	3/4"		1.70	=
---	3"x10"	3/4"		1.75	=
---	4"x4"	3/4"		1.60	=
---	4"x6 1/2"	3/4"		1.65	=
---	4"x9"	3/4"		1.90	=
---	4"x12"	3/4"		2.20	=
---	4 1/2"x3"	1/2"		1.55	=
---	5"x5"	3/4"		1.60	=
---	5"x6 1/2"	3/4"		1.75	=
---	5"x8"	3/4"		1.90	=
---	5"x10"	7/8"		2.30	=
---	5"x14"	7/8"		2.65	=
---	6"x4"	3/4"		1.65	=
---	6"x5"	3/4"		1.75	=
---	6"x6 1/2"	3/4"		1.90	=
---	6"x8"	7/8"		1.95	=
---	6"x10"	7/8"		2.05	=
---	6"x12"	7/8"		2.50	=
---	6"x14"	7/8"		2.85	=
---	6"x17"	7/8"		3.15	=
---	6"x20"	7/8"		3.55	=
---	7 1/2"x6 1/2"	3/4"		2.05	=
---	8"x5"	3/4"		1.75	=
---	8"x8"	7/8"		2.05	=
---	8"x10"	7/8"		2.20	=
---	8"x12"	7/8"		2.45	=
---	8"x14"	7/8"		2.80	=
---	8"x17"	7/8"		3.70	=
---	8"x20"	7/8"		3.95	=
---	10"x6"	7/8"		2.10	=
---	10"x8"	7/8"		2.35	=
---	10"x10"	7/8"		2.55	=
---	10"x12"	1 1/8"		2.95	=
---	10"x14"	1 1/8"		3.15	=
---	10"x17"	1 1/8"		3.80	=
---	10"x20"	1 1/8"		4.60	=
---	12"x7"	7/8"		2.90	=
---	12"x10"	1 1/8"		2.95	=
---	12"x12"	1 1/8"		3.15	=
---	12"x14"	1 1/8"		3.40	=
---	12"x16"	1 1/8"		3.80	=
---	12"x19"	1 1/8"		4.80	=
---	14"x10"	1 1/8"		3.55	=
---	14"x16"	1 1/8"		4.75	=
---	14"x20"	1 1/8"		6.10	=
---	15"x7 1/2"	1 1/8"		3.70	=

FLAT-TOP D-HANDLES		glued, & pinned in corners		PRICE	TOTAL
QTY	SPN HGT WIDTH				
---	6"x7"	7/8"		2.05	=
---	8"x9"	7/8"		2.15	=
---	10"x8 1/2"	7/8"		2.55	=
---	10"x10"	7/8"		2.80	=
---	10"x13"	7/8"		3.00	=
---	12"x10"	1 1/8"		3.00	=
---	12"x12"	1 1/8"		3.80	=
---	14"x10"	1 1/8"		3.80	=

SHARP-TOP D-HANDLES		PRICE	TOTAL
---	6"x8"	7/8"	1.95
---	7"x10"	7/8"	2.25
---	8"x12"	7/8"	2.45
---	10"x14"	7/8"	2.60

TULIP D-HANDLES		PRICE	TOTAL
QTY	BASE HGT SPAN		
---	3" 6 1/2" 4"	1.70	=
---	5" 8" 6 1/2"	2.00	=
---	6" 13" 8"	2.65	=

WILLIAMSBURG D-HANDLES		PRICE	TOTAL
---	3 1/2" 6" 5 1/2"	2.20	=
---	5" 8 1/2" 9"	2.65	=
---	7" 12 1/2" 12"	3.65	=
---	10" 13" 14"	4.25	=
---	12" 19 1/4" 16"	6.10	=

TOWEL BAR D-HANDLES		PRICE	TOTAL
QTY	SPN HGT WIDTH		
---	6"x14"	7/8"	3.45
---	8"x15"	7/8"	3.60

TOWEL BAR D-HANDLES		with 3 pegs	PRICE	TOTAL
---	8"x12"	1 1/8"	5.80	=
---	10"x14"	1 1/8"	6.10	=

RIBBED HEARTH BASKET FRAME		PRICE	TOTAL
(1 D-handle + 2 unassembled rims)			
QTY	SPN HGT LGTH		
---	8"x10"	16"	4.70
---	10"x12"	20"	5.45
---	12"x14"	25"	6.30

ORIOLE BASKET FRAME		PRICE	TOTAL
QTY	RIM HGT WPTH		
---	5" neck 11" 3/4"	6.55	=
---	6" neck 14" 3/4"	6.75	=

OAK DOOR-KNOB HANGER		PRICE	TOTAL
QTY	WPTH HGT		
---	2" 6"	2.35	=

WHITE ASH HANDLE FILLERS		DOZEN	EACH	TOTAL
QTY	LGTH WIDTH			
---	24" 1/2"	5.40	.50	=
---	24" 7/8"	8.60	.80	=
---	36" 1/2"	7.55	.70	=
---	36" 7/8"	11.35	1.05	=

D-HANDLES--nailed at corners		PRICE	TOTAL
---	4 1/2"x6"	1.40	=
---	5"x14"	2.40	=
---	10"x14"	2.85	=
---	12"x16"	3.40	=
---	14"x16"	4.25	=